

**PRODUCT CODE: LP4B**  
LOOP IN BOX



**DESCRIPTION**

Four Hole Knockout Loop In Box

**FINISH**

Black Enamel

**MATERIAL**

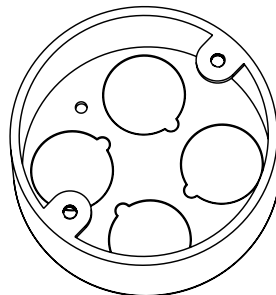
Mild Steel

**PACKAGING**

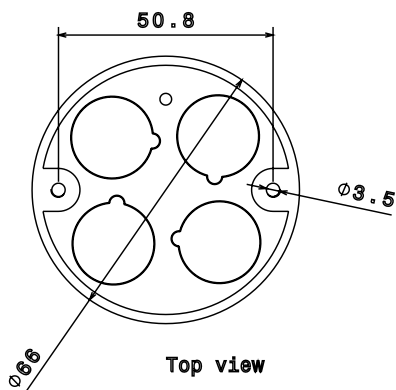
Packed in qty 10

**ADDITIONAL NOTES**

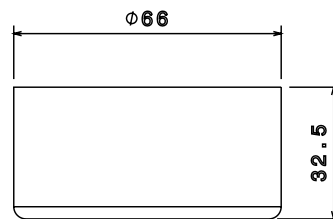
Conforms to BS EN61386-1  
Contains 4 x 20mm knockout loopin holes



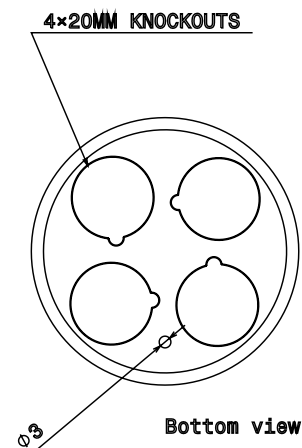
Isometric view



Top view



Side view



Bottom view